

MNU Series Ultrasonic Sensor



Flexible by Design

The MNU series sensors utilize standard Modbus RTU protocol (RS-485). The MNU is designed to work as a slave device. With the ability to measure volume and distance, the MNU is the ideal sensor for your application.

Features

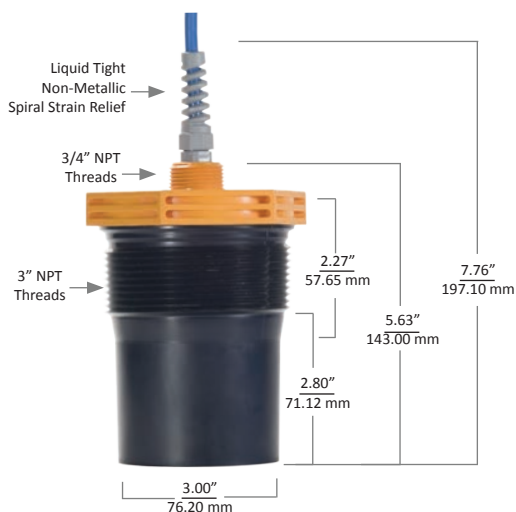
- Ranges from 4 in - 40 ft
- Self-Contained Sensor
- RS-485 Modbus RTU Interface
- Measure Distance, Level, or Volume
- Internal Temperature Compensation

MNU Specifications

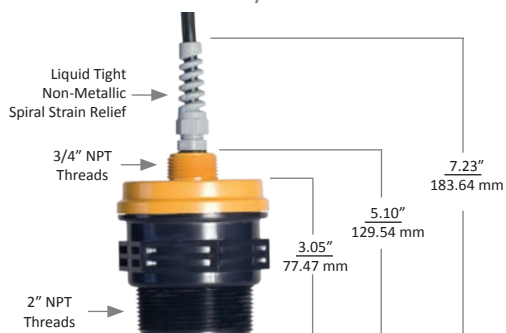
MNU-6424 & 2424



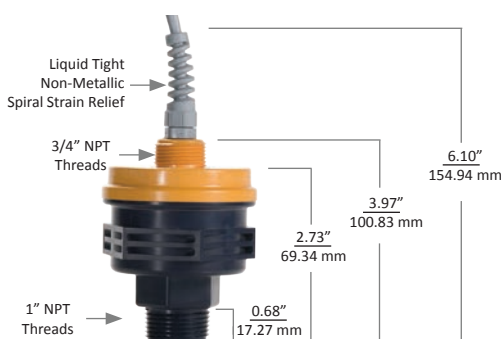
MNU-3434



MNU-7424/5424



MNU-5414



Performance

- Operating Range:
 - MNU-5414: 4 - 79 in (101 - 2007 mm)
 - MNU-5424: 4 - 79 in (101 - 2007 mm)
 - MNU-7424: 6 - 144 in (152 - 3657 mm)
 - MNU-6424: 7 - 180 in (178 - 4572 mm)
 - MNU-2424: 1 - 25 ft (0.30 - 7.62 m)
 - MNU-3434: 1.5 - 40 ft (0.46 - 12.19 m)
- Beam Pattern: 90° off axis
- Internal Temperature Compensation
- Frequency:
 - 43 kHz (MNU-3434), 69 kHz (MNU-6424, 2424)
 - 90 kHz (MNU-7424), 170 kHz (MNU-5414)
- Accuracy: ±0.25% of detected range
- Resolution: 0.1 in. (2.5 mm)
- Response Time: Programmable

Connectivity

- Output: Modbus RTU (RS-485)

Environmental

- Ratings: NEMA 6P
- Operating Temp: -30° - 140°F (-34° - 60°C)

Electrical

- Total Current Draw: 22 mA
- Wiring Connection:
 - 4-conductor twisted-pair cable
 - 4-pin micro-connector

Programming

- Interface with RS-485 Modbus RTU
 - Windows compatible software can be provided to adjust internal parameters.
- User selected units of measure

Physical

- PC/PBT blend upper housing
- Transducer Type: Ceramic, PVDF faced

Certification

- NEMA 6P

Options

Part Number: MNU- _____ - _____
 A B

A. Model

- 5414** 4 - 79 in (101 - 2007 mm) 1 inch NPT
- 5424** 4 - 79 in (101 - 2007 mm) 2 inch NPT
- 7424** 6 - 144 in (152 - 3657 mm)
- 6424** 7 - 180 in (178 - 4572 mm)
- 2424** 1 - 25 ft (0.30 - 7.62 m)
- 3434** 1.5 - 40 ft (0.46 - 12.19 m)

B. Cable/Micro Connector

- CL** Specify length - standard length is 6 ft
- M** Micro connector (note: Mating connector cable sold separately)

MNU Accessories

Please order separately, by part number.

Description	Part Number
4 Conductor Over-molded Extension Cables with Foil Shield	
Straight, 2 m	135407-0002
Right angle, 2 m	135407-1002
Straight, 5 m	135407-0005
Right angle, 5 m	135407-1005