

PG7 Digital Pressure Gauge



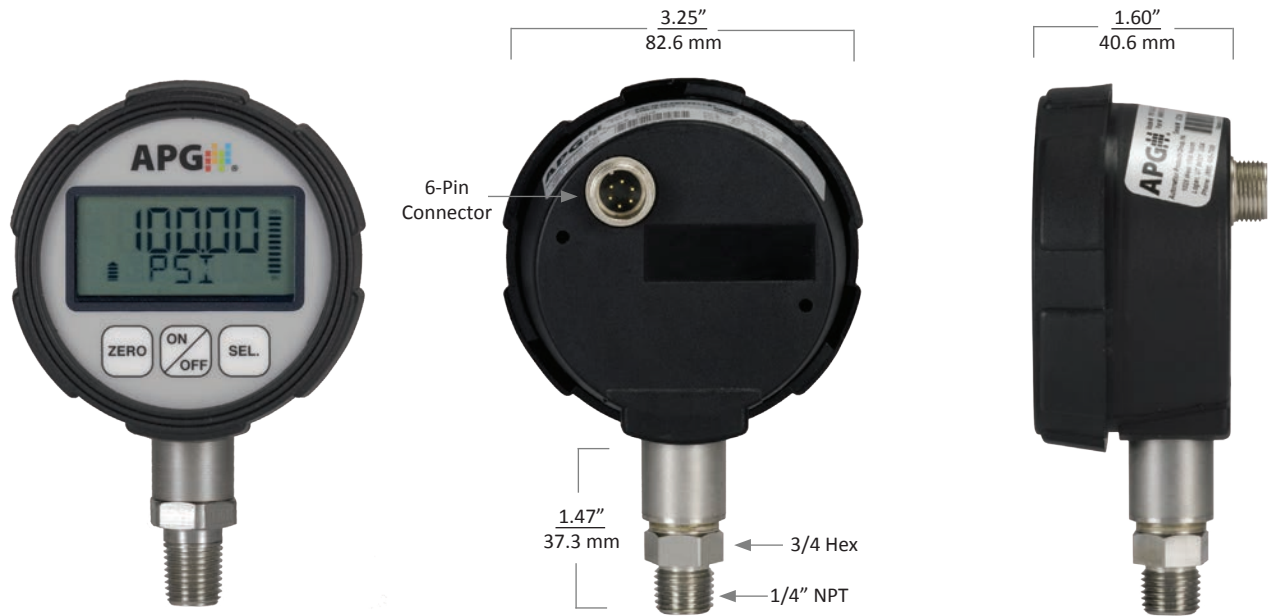
Flexible by Design

The PG7 digital pressure gauge is built for accurate pressure measurements in indoor/outdoor environments. With its ease of operation, high accuracy, and many standard features, the PG7 is perfect for a variety of applications.

Features

- Large, full 5-digit display with 0.4 in. characters
- Available ranges from vacuum up to 10,000 psi
- Environmentally sealed housing; IP67
- Tare, Peak Hold, and Max/Min functions standard
- $\pm 0.25\%$ accuracy of full scale
- User selectable units of measure
(psi, kPa, mmHg, cmHg, mbar, bar, inH₂O, ftH₂O, kg/cm²)

PG7 Specifications



Performance

- Accuracy (linearity & hysteresis): $\pm 0.25\%$ of full scale (BFSL)
 $\pm 0.1\%$ accuracy in selected ranges
- Stability – One Year Zero Drift: $< \pm 1\%$ FS
- Thermal Zero Shift: $\pm 0.02\%$ FS/ $^{\circ}\text{F}$
- Thermal Sensitivity Shift: $\pm 0.02\%$ FS/ $^{\circ}\text{F}$
- Life: 10 million cycles minimum
- Adjustments: Auto zero, tare
- Overpressure: 2X full scale

Connectivity

- Output Options:
 4-20 mA, 0-2 VDC, 0-5 VDC, Solid State Relay, RS-485

Environmental

- Protection rating: IP67
- Compensated Temp: 20° - 130°F (-7° - 54°C)
- Storage Temp: -40° - 160°F (-40° - 71°C)
- Operating Temp: 0° - 160°F (-18° - 71°C)

Certification

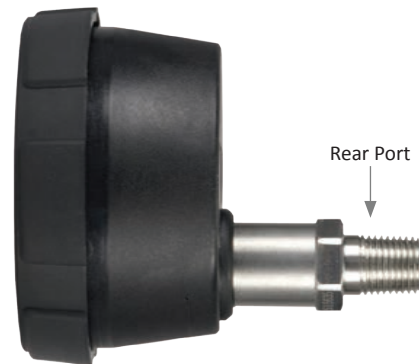
- NIST certification on select ranges
- CE

Programming

- Programmable Features:
 User selectable units of measure, Max/Min Reset & Reading, Peak-Hold, Tare, Sample Rate, Range Adjustment, Quick Calibration, Adjustable Resolution, Auto-Off

Electrical

- Battery Option:
 (2) AA alkaline (typical life 2,000 hrs)
 Auto-off: 2-32 minutes
 Low battery detection with 25% increments
- External Power Option: 9-28 VDC
- 6-Pin Connector: R04-R6M



Physical

- Size: 3.25" x 1.60" (82.6 x 40.6 mm)
 Connection: 1.47" (37.3 mm)
- Weight: 0.36 lb (163 grams)
- Injected molded case (EMI-X® PDX-W-88341)
- Wetted materials: 316L SS: up to 10,000 psi
- Protection rating: IP67
- Display: 5 digit LCD, 0.4 in. digits

Options

Part Number: PG7 - - - - - - -

A B C D E F G

A. Common Pressure Ranges

- 5.00** **50.00** **200.00** **1000** **5000**
- 15.00** **60.00** **300.0** **2000** **10000**
- 30.00** **100.00** **500.0** **3000**

*Other ranges available

B. Pressure Type Table

- PSIG**[▲] Gauge (up to 500 psi)
- PSICG** Compound gauge
- PSIV** Vacuum
- PSIA** Absolute
- PSIS** Sealed gauge (greater than 500 psi)

C. Port

- F0**[▲] Bottom
- F1** Rear
- F2** Bottom with O₂ clean
- F3** Rear with O₂ clean
- F5-XX** Remote transducer with mV sensor
- F7** Bottom port with rubber boot installed

D. Operation (see Operation Table)

- L0-E0**[▲] (2) AA batteries; no output
- L1-E1** 4-20 mA (loop powered) output
- L2-E1** 0-2 VDC output
- L3-E1** 0-5 VDC output
- L4-E1** External Power
- L5-E1** RS-485: External Power Logging Software
- L7** "AA" size lithium batteries (E0)

*Auto-off options are not available with L1, L3, or L4

*M12 connector available upon request

E. Relays

- C0**[▲] No Solid-State Relays
- C2** (2) Solid-State Relays with Visual Indication (L3 & L4 types only) (120 mA max, 240V AC/DC max)

F. Process Connection

- P0**[▲] 1/4 - 18 NPTM
- P7** 7/16 - 20 SAE Male
- P14** 1/8 - 27 NPTM
- P16** PT 1/4 (BSPM 1/4)
- P30** Sno-Trik® Autoclave

*Other options available

G. Accuracy

- N0**[▲] ±0.25%
- N1** ±0.25% with NIST certification
- N2** ±0.1% with NIST certification (select ranges)

Note: [▲]Indicates this option is standard.

Operation Table

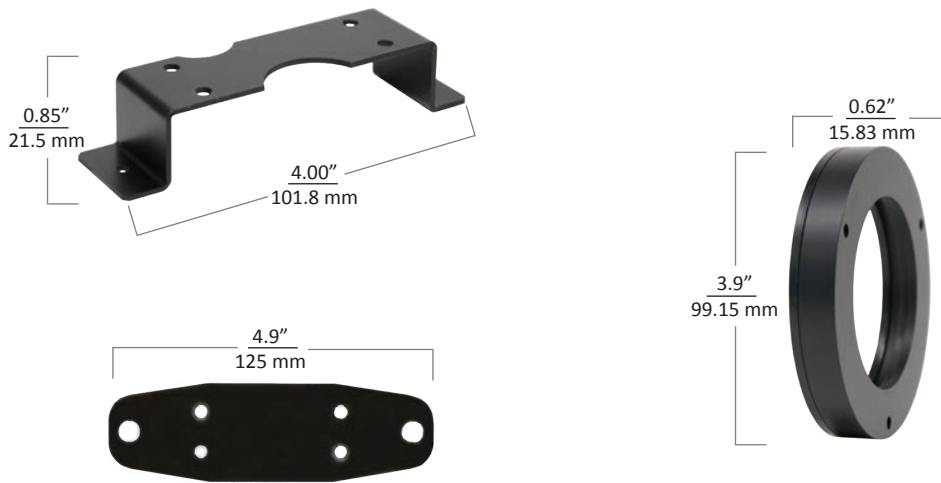
	L1: 4-20 mA	L2: 0-2 VDC	L3: 0-5 VDC
Input Voltage (Excitation)	9 VDC min - 28 VDC max	Battery Powered	9-28 VDC
Input Current	3-30 mA max		6 mA max
Output	4-20 mA ±0.16 mA at set points	Zero set point ±0.15 C with a 2 VDC span V0.02 VDC	0-5 VDC / ±0.05 VDC at set points
Output/Input	2 wire loop powered	2 wire	3 wire Non-isolated
Resolution	14 bit	14 bit	14 bit
Protection	Reversed Polarity		Reversed Polarity

PG7 Accessories

Please order separately, by part number.

Description	Part Number
6-pin circular mating connector (E1)	509110
6-pin circular mating connector (E1) with cable	509110-00BB (B=cable length)
Panel mount bracket (raised)	512599
Panel mount bracket (flat)	512...
Panel mount bracket (circle)	512...
Power supply w/8 pin terminal block (cable & mating connector not included)	511643
Rubber Boot	512626

Mounting Bracket Options



Rubber Boot

