

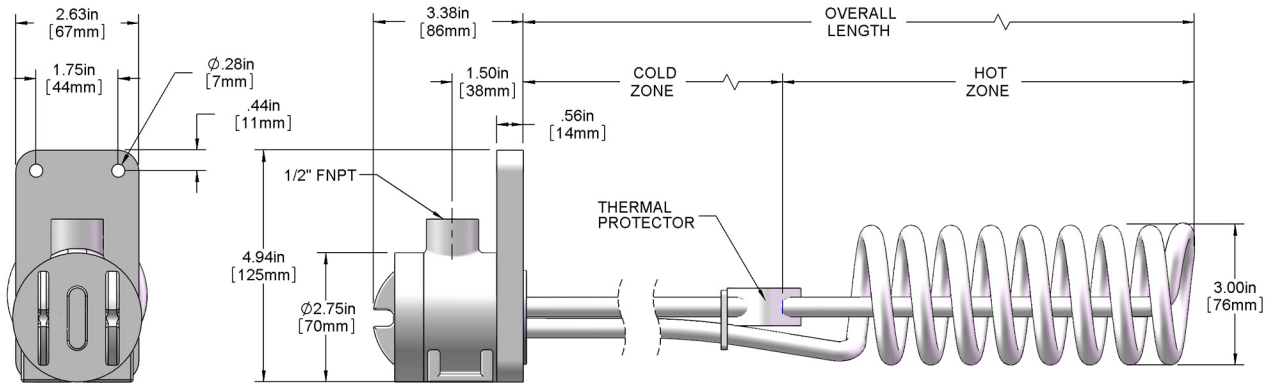
HX SERIES, SPIRAL FLUOROPOLYMER (PTFE) HEATERS						
WATTS	VOLTS	HOT ZONE In./(mm)	OVERALL LENGTH In./(mm)	MAX. COLD ZONE In./(mm)	MODEL NUMBER	SHIP WGT. Lbs./ (kg)
500	120	5	11	41	HX.5111-**	6
	240	(125)	(280)	(1040)	HX.5211-**	(2.5)
1000	120	7	11	41	HX1111-**	7
	240	(180)	(280)	(1040)	HX1211-**	(3.5)
2000	120	12	17	40	HX2117-**	8
	240	(305)	(430)	(1015)	HX2217-**	(4)
					HX2417-**	
3000	240	16	23	40	HX3223-**	13
	480	(405)	(585)	(1015)	HX3423-**	(6)
4000	240	20	29	40	HX4229-**	15
	480	(510)	(735)	(1015)	HX4429-**	(7)
5000	240	25	35	36	HX5235-**	18
	480	(635)	(890)	(915)	HX5435-**	(8)
6000	240	29	40	30	HX6240-**	21
	480	(735)	(1015)	(760)	HX6440-**	(10)
8000	240	37	47	32	2HX8247-**	25
	480	(940)	(1195)	(810)	2HX8447-**	(12)
9000	240	44	54	35	2HX9254-**	28
	480	(1120)	(1370)	(890)	2HX9454-**	(13)

Single phase only.

Product Features and Benefits:

- ◆ **SUPERIOR CHEMICAL RESISTANCE:** Inert to most aqueous acid, alkaline, anodizing and pickling solutions up to 212°F (100°C).
- ◆ **RUGGED CONSTRUCTION:** Heavy wall fluoropolymer (PTFE) covered stainless steel element reduces permeation and eliminates the need for gas purge systems. Guaranteed 100% pinhole free.
- ◆ **OUTSTANDING PERFORMANCE:** Low watt density design (10 watts/square inch, 1.5w/cm²) for long service life.
- ◆ **CORROSION RESISTANT HEAD:** Vapor tight, flame retardant polypropylene terminal enclosure with 3-foot (.9m) flexible PVC liquid tight conduit.
- ◆ **SAFETY FEATURES:**
 - Grounded internal metal element.
 - Thermal protector built in. Replaceable P1 fuse standard for solutions up to 190°F (88°C).
 - Non-floating construction.
- ◆ **CERTIFICATIONS:** UL (1-6 kW), CSA, and CE.
- ◆ **SIZES:** 500 watts to 9,000 watts.
- ◆ **VOLTAGES:** 120, 240 or 480 volts. 208, 380, 415, 600 (CSA only) and other voltages available. Single phase only.
- ◆ **OPTIONS AVAILABLE** (consult factory):
 - Replaceable thermal protectors:
 - P4: for solutions from 190°F (88°C) to 220°F (104°C).
 - Resettable thermal protectors:
 - P2: bi-metal switch for solutions up to 190°F (88°C).
 - P8: type-J thermocouple for solutions from 190°F (88°C) to 210°F (99°C).
 - P3: type-J thermocouple for solutions from 210°F (99°C) to 250°F (121°C).
 - Longer vertical lengths (cold zones).
 - Polypropylene guards: recommended for applications up to 180°F (82°C) (sold separately).
 - Fluoropolymer (PTFE) guards: recommended for chromic acid or solutions over 180°F (82°C) (sold separately).
 - Special configurations.
 - Longer wire and conduit lengths.
 - Flexible continuous fluoropolymer leads (P3 protector only).
 - Lower watt densities for highly viscous solutions and technical acids.
 - Temperature and level controls sized to match the heater.

DIMENSIONS (up to 6 kW)



SPIRAL OVER THE SIDE FLUOROPOLYMER (PTFE) HEATER ORDERING INFORMATION

Series	Wattage	Voltage	Overall Length (in.)	Type of Fuse	Wire and Conduit Length																
	.5 = 500 1 = 1000 2 = 2000 3 = 3000 4 = 4000 5 = 5000 6 = 6000 8 = 8000 9 = 9000	1 = 120 2 = 240 3 = 380 4 = 480 5 = 415 6 = 600 7 = 400 8 = 208 9 = 220 0 = 200	11 = .5kW 11 = 1kW 17 = 2kW 23 = 3kW 29 = 4kW 35 = 5kW 40 = 6kW 47 = 8kW 54 = 9kW specify custom lengths, not to exceed tank depth		36" length standard (no designator) specify variations from standard Ex: -X84 = 84"																
	HX = PTFE sheathed 2HX = 2 element PTFE sheathed HS = 304 stainless steel 2HS = 2 element 304 stainless steel			<table border="1" style="width: 100%; border-collapse: collapse;"> <thead> <tr> <th colspan="2" style="text-align: center;">Replaceable Fuse</th> </tr> </thead> <tbody> <tr> <td style="text-align: center;">-P1 (std)</td> <td>for solutions up to 190°F</td> </tr> <tr> <td style="text-align: center;">-P4</td> <td>for 190° - 220°F solutions</td> </tr> <tr> <th colspan="2" style="text-align: center;">Resettable Fuse</th> </tr> <tr> <td colspan="2" style="text-align: center;">(additional control components required)</td> </tr> <tr> <td style="text-align: center;">-P2</td> <td>for solutions up to 190°F</td> </tr> <tr> <td style="text-align: center;">-P8</td> <td>for 190° - 210°F solutions</td> </tr> <tr> <td style="text-align: center;">-P3</td> <td>for 210° - 250°F solutions</td> </tr> </tbody> </table>		Replaceable Fuse		-P1 (std)	for solutions up to 190°F	-P4	for 190° - 220°F solutions	Resettable Fuse		(additional control components required)		-P2	for solutions up to 190°F	-P8	for 190° - 210°F solutions	-P3	for 210° - 250°F solutions
Replaceable Fuse																					
-P1 (std)	for solutions up to 190°F																				
-P4	for 190° - 220°F solutions																				
Resettable Fuse																					
(additional control components required)																					
-P2	for solutions up to 190°F																				
-P8	for 190° - 210°F solutions																				
-P3	for 210° - 250°F solutions																				
				1 inch = 25.4mm																	

ORDERING EXAMPLE:

HX5435-P1-X50

Spiral fluoropolymer heater, 5000 watts, 480 volt, single phase, 35" overall length, P1 thermal fuse, 50" wire and conduit

**PROCESS
TECHNOLOGY**