

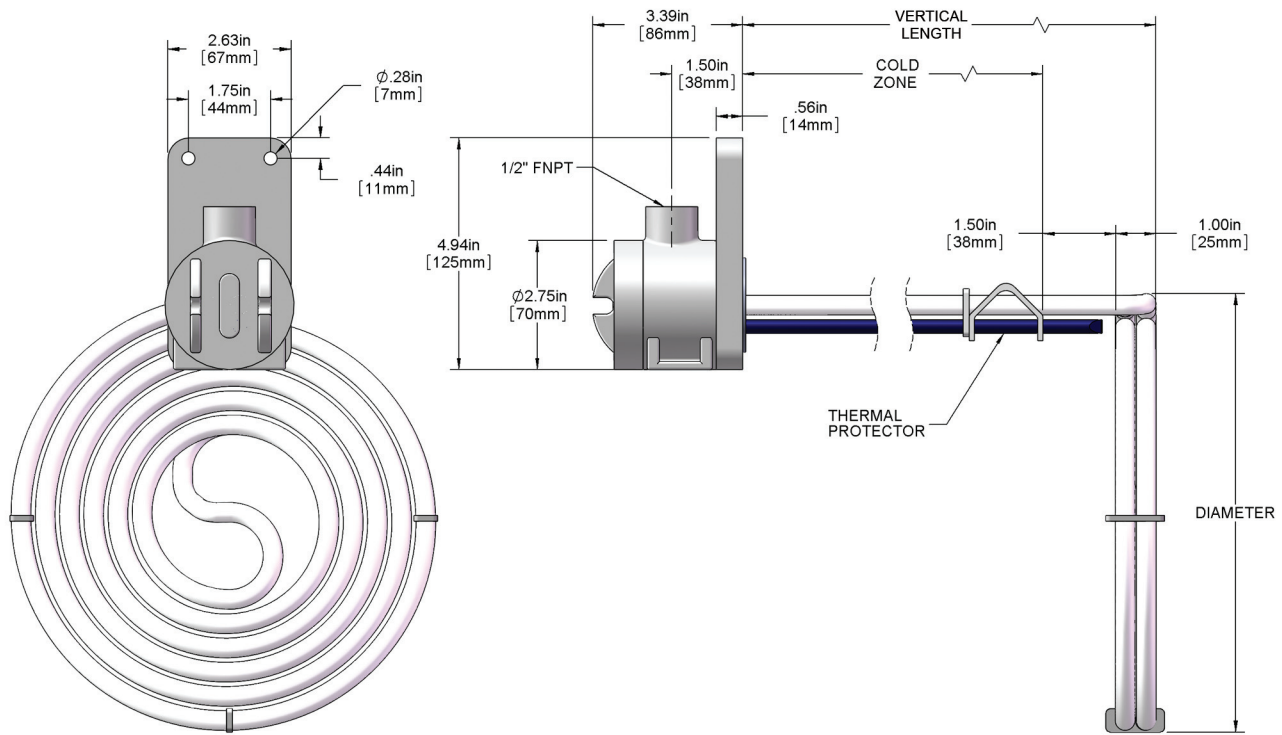
HXFL SERIES, LOW PROFILE L-SHAPED FLUOROPOLYMER (PTFE) HEATERS							
WATTS	VOLTS	HOT ZONE	STD. VERT. LENGTH*	DIA.	MAX. COLD ZONE	MODEL NUMBER	SHIP WGT.
	(See Pg.1)	In./(mm)	In./(mm)	In./(mm)			Lbs./(kg)
500	120	5	12	5	36	HXFL.5105-R ^{***}	6
	240	(125)	(305)	(125)	(915)	HXFL.5205-R ^{***}	(2.5)
1000	120	6	12	6	36	HXFL1106-R ^{***}	7
	240	(155)	(305)	(155)	(915)	HXFL1206-R ^{***}	(3.5)
2000	120	8	18	8	35	HXFL2108-R ^{***}	8
	240	(205)	(460)	(205)	(890)	HXFL2208-R ^{***}	(4)
	480					HXFL2408-R ^{***}	
3000	240	9	18	9	35	HXFL3209-R ^{***}	13
	480	(230)	(460)	(230)	(890)	HXFL3409-R ^{***}	(6)
4000	240	11	18	11	35	HXFL4211-R ^{***}	15
	480	(280)	(460)	(280)	(890)	HXFL4411-R ^{***}	(7)
5000	240	12	18	12	31	HXFL5212-R ^{***}	18
	480	(305)	(460)	(305)	(790)	HXFL5412-R ^{***}	(8)
6000	240	13	18	13	25	HXFL6213-R ^{***}	22
	480	(330)	(460)	(330)	(635)	HXFL6413-R ^{***}	(10)

Single phase only. Guards recommended. This configuration is not recommended for electroless chemistry, phosphoric acid, or applications prone to sludge buildup; please use DAS series heater for phosphate applications.

Product Features and Benefits:

- ◆ **SUPERIOR CHEMICAL RESISTANCE:** Inert to most aqueous acid, alkaline, anodizing and pickling solutions up to 212°F (100°C).
- ◆ **RUGGED CONSTRUCTION:** Heavy wall fluoropolymer (PTFE) covered stainless steel element reduces permeation and eliminates the need for gas purge systems. Guaranteed 100% pinhole free.
- ◆ **OUTSTANDING PERFORMANCE:** Low watt density design (10 watts/square inch, 1.5w/cm²) for long service life.
- ◆ **EVEN HEATING:** Flat, low profile bottom design for even heating and varying liquid levels. (This configuration not recommended for electroless chemistry.)
- ◆ **CORROSION RESISTANT HEAD:** Vapor tight, flame retardant polypropylene terminal enclosure with 3-foot (.9m) flexible PVC liquid tight conduit.
- ◆ **SAFETY FEATURES:**
 - Grounded internal metal element.
 - Thermal protector built in. Replaceable P1 fuse standard for solutions up to 190°F (88°C).
 - Non-floating construction.
- ◆ **CERTIFICATIONS:** UL, CSA, and CE.
- ◆ **SIZES:** 500 watts to 6,000 watts.
- ◆ **VOLTAGES:** 120, 240 or 480 volts. 208, 380, 415, 600 (CSA only) and other voltages available. Single phase only.
- ◆ **OPTIONS AVAILABLE (consult factory):**
 - Replaceable thermal protectors:
 - P4: for solutions from 190°F (88°C) to 220°F (104°C).
 - Resettable thermal protectors:
 - P2: bi-metal switch for solutions up to 190°F (88°C).
 - P8: type-J thermocouple for solutions from 190°F (88°C) to 210°F (99°C).
 - P3: type-J thermocouple for solutions from 210°F (99°C) to 250°F (121°C).
 - Longer vertical lengths (cold zones).
 - Polypropylene guards: recommended for applications up to 180°F (82°C) (sold separately).
 - Fluoropolymer (PTFE) guards: recommended for chromic acid or solutions over 180°F (82°C) (sold separately).
 - Special configurations.
 - Longer wire and conduit lengths.
 - Flexible continuous fluoropolymer leads (P3 protector only).
 - Lower watt densities for highly viscous solutions and technical acids.
 - Temperature and level controls sized to match the heater.

DIMENSIONS



LOW PROFILE L-SHAPED FLUOROPOLYMER (PTFE) HEATER ORDERING INFORMATION

Series	Wattage	Voltage	Diameter (in.)	Vertical Length (in.)	Type of Fuse	Wire and Conduit Length																
	.5 = 500 1 = 1000 2 = 2000 3 = 3000 4 = 4000 5 = 5000 6 = 6000	1 = 120 2 = 240 3 = 380 4 = 480 5 = 415 6 = 600 7 = 400 8 = 208 9 = 220 0 = 200	05 = .5kW 06 = 1kW 08 = 2kW 09 = 3kW 11 = 4kW 12 = 5kW 13 = 6kW	-R12 = .5kW -R12 = 1kW -R18 = 2kW -R18 = 3kW -R18 = 4kW -R18 = 5kW -R18 = 6kW specify custom lengths, not to exceed tank depth		36" length standard (no designator) specify variations from standard Ex: -X84 = 84"																
	HXFL = PTFE HSFL = 304 stainless steel				<table border="1" style="width: 100%; border-collapse: collapse;"> <thead> <tr> <th colspan="2" style="text-align: center;">Replaceable Fuse</th> </tr> </thead> <tbody> <tr> <td style="text-align: center;">-P1 (std)</td> <td style="text-align: center;">for solutions up to 190°F</td> </tr> <tr> <td style="text-align: center;">-P4</td> <td style="text-align: center;">for 190° - 220°F solutions</td> </tr> <tr> <th colspan="2" style="text-align: center;">Resettable Fuse</th> </tr> <tr> <td colspan="2" style="text-align: center;">(additional control components required)</td> </tr> <tr> <td style="text-align: center;">-P2</td> <td style="text-align: center;">for solutions up to 190°F</td> </tr> <tr> <td style="text-align: center;">-P8</td> <td style="text-align: center;">for 190° - 210°F solutions</td> </tr> <tr> <td style="text-align: center;">-P3</td> <td style="text-align: center;">for 210° - 250°F solutions</td> </tr> </tbody> </table>		Replaceable Fuse		-P1 (std)	for solutions up to 190°F	-P4	for 190° - 220°F solutions	Resettable Fuse		(additional control components required)		-P2	for solutions up to 190°F	-P8	for 190° - 210°F solutions	-P3	for 210° - 250°F solutions
Replaceable Fuse																						
-P1 (std)	for solutions up to 190°F																					
-P4	for 190° - 220°F solutions																					
Resettable Fuse																						
(additional control components required)																						
-P2	for solutions up to 190°F																					
-P8	for 190° - 210°F solutions																					
-P3	for 210° - 250°F solutions																					

1 inch = 25.4mm

ORDERING EXAMPLE:

HXFL5412-R18-P1-X50

Low profile L-shaped fluoropolymer heater, 5000 watts, 480 volt, single phase, 12" diameter hot zone, 18" vertical length, P1 thermal fuse, 50" wire and conduit

**PROCESS
TECHNOLOGY**