

# Bourdon Tube Pressure Gauges

## Economical Stainless Steel Gauge

### Type 132.53 - Dry Case

### Type 133.53 - Liquid-filled Case

WIKA Data Sheet 13X.53

#### Applications

- With liquid filled case for applications with high dynamic pressure pulsations or vibration
- Suitable for corrosive environments and gaseous or liquid media that will not obstruct the pressure system
- Process industry: chemical/petrochemical, power stations, mining, on and offshore, environmental technology, mechanical engineering and plant construction

#### Special features

- All stainless steel construction
- Economical design
- Positive pressure ranges to 15,000 PSI

#### Standard Features

##### Design

ASME B40.100 & EN 837-1

##### Sizes

4" (100mm)

##### Accuracy class

± 3/2/3% of span (ASME B40.100 Grade B)

##### Ranges

Pressure from 30 psi to 15,000 psi  
or other equivalent units of pressure

##### Working pressure

Steady: 3/4 scale value  
Fluctuating: 2/3 full scale value  
Short time: full scale value

##### Operating temperature

Ambient: -40°F to +140°F (-40°C to +60°C) - dry  
-4°F to +140°F (-20°C to +60°C) - glycerine filled  
-40°F to +140°F (-40°C to +60°C) - silicone filled  
Medium: +212°F (+100°C) maximum

##### Temperature error

Additional error when temperature changes from reference temperature of 68°F (20°C) ±0.4% for every 18°F (10°C) rising or falling. Percentage of span.



Bourdon Tube Pressure Gauge Model 132.53

##### Weather protection

Weather tight (NEMA 4X / IP65)

##### Pressure connection

Material: 316L stainless steel  
Lower mount (LM)  
1/4" or 1/2" NPT

##### Bourdon tube

Material: 316L stainless steel  
≤ 1,000 PSI: C-type  
≥ 1,500 PSI: helical type

##### Movement

Stainless steel

##### Dial

White aluminum with black lettering

##### Pointer

Black aluminum, non-adjustable

##### Case

304 stainless steel with vent plug and SS polished crimp ring.  
Case welded to pressure connection.

##### Window

Polycarbonate with Buna-N gasket

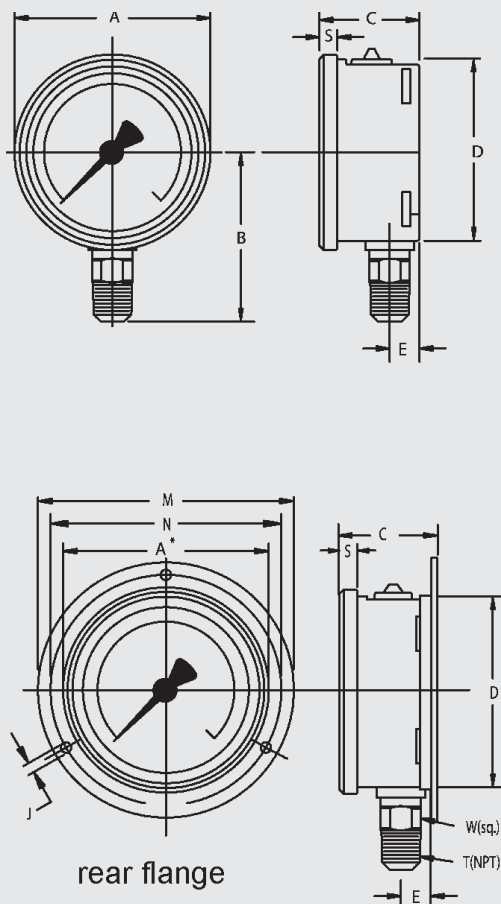
### Case fill

Glycerine 99.7% (Type 133.53)

### Optional extras

- Other pressure connections
- Customer dial layout
- Rear flange, SS
- Stainless steel restrictor
- Silicone or Fluorolube case filling
- Other pressure scales available:  
bar, kPa, mPa, Kg/cm<sup>2</sup> and dual scales

### Dimensions



Size		A	B	C	D	E	J	M	N	S	T	W	Weight <sup>1</sup>
4"	mm	100	87	39	100	15.5	4.8	132	116	8		22	
	in	4	3.43	1.53	3.94	0.61	0.19	5.20	4.57	0.31	1/2"	0.87	1.10 lb.

<sup>1</sup> Weight without optional accessories

#### Ordering information

Pressure gauge model / Nominal size / Scale range / Size of connection / Optional extras required  
Specifications and dimensions given in this leaflet represent the state of engineering at the time of printing.  
Modifications may take place and materials specified may be replaced by others without prior notice.



**WIKAL Instrument Corporation**  
1000 Wiegand Boulevard  
Lawrenceville, GA 30045  
Tel (770) 513-8200 Toll-free 1-888-WIKA-USA  
Fax (770) 338-5118  
E-Mail info@wika.com  
www.wika.com