

# Bourdon Tube Pressure Gauges

## Hinged Ring Process Gauge - 316SS Wetted Parts

### Type 232.25

WIKA Datasheet 232.25

#### Applications

- Pressure monitoring panels
- Suitable for corrosive gaseous or liquid media that will not clog the pressure system or attack 316L SS parts.
- Process industry: chemical/petrochemical, power stations, mining, on and offshore, environmental technology, mechanical engineering and plant construction

#### Special features

- Hinged ring for access to adjustable pointer
- Durable aluminum case and ring
- Positive pressure ranges to 20,000 psi

#### Standard Features

##### Design

ASME B40.100

##### Sizes

4½" & 6" (115 & 147 mm) dial size

##### Accuracy class

± 0.5% of span (ASME B40.100 Grade 2A)  
± 1.0% of span (ASME B40.100 Grade 1A)  
(for 20,000 psi range and above)

##### Ranges

Vacuum / Compound to 200 psi  
Pressure from 15 psi to 20,000 psi  
or other equivalent units of pressure or vacuum

##### Working pressure

Steady: full scale value  
Fluctuating: 0.9 x full scale value  
Short time: 1.3 x full scale value

##### Operating temperature

Ambient: -40°F to +140°F (-40°C to +60°C)  
Medium: +212°F (+100°C) maximum

##### Temperature error

Additional error when temperature changes from reference temperature of 68°F (20°C) ±0.4% for every 18°F (10°C) rising or falling. Percentage of span.

##### Weather protection

Weather resistant (NEMA 3 / IP54)



Bourdon Tube Pressure Gauge Model 232.25

##### Pressure connection

Material: 316L stainless steel  
Lower back mount (LBM)  
1/4" or 1/2" NPT with M4 internal tap

##### Bourdon tube

Material: 316L stainless steel  
≤ 1,000 psi: C-type  
≥ 1,500 psi: helical

##### Movement

Stainless steel. Internal stop pin at 1.3 x full scale

##### Dial

White aluminum with black lettering, stop pin at 6 o'clock

##### Pointer

Black aluminum, adjustable

##### Case

Black-painted aluminum with 3 threaded mounting bolts.  
Solid front, blowout back safety case. 304 stainless steel blowout back plate

##### Hinged ring

Black-painted steel with knurled clamping screw

## Window

Flat instrument glass with silicone rubber gasket

## Mounting bolts

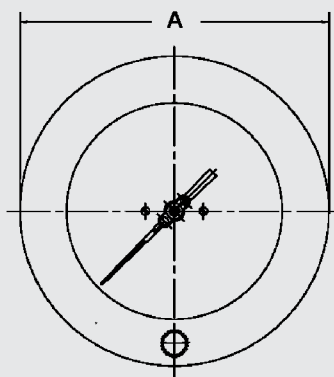
10-24 UNC threads - 4½"

1/4-20 UNC threads - 6"

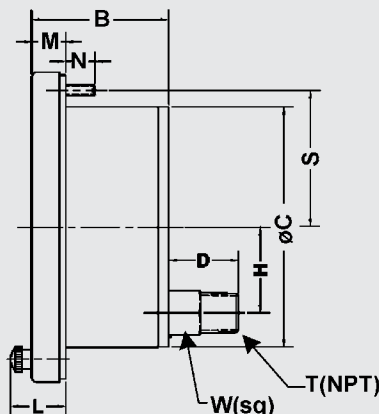
## Optional Extras

- Threaded restrictor
- Cleaned for oxygen service
- Safety glass window (4½" size only)
- Special process connections
- Custom dial layout

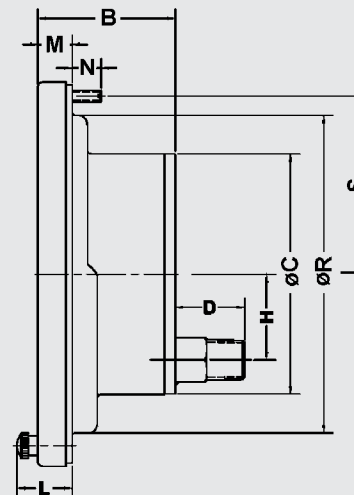
## Dimensions



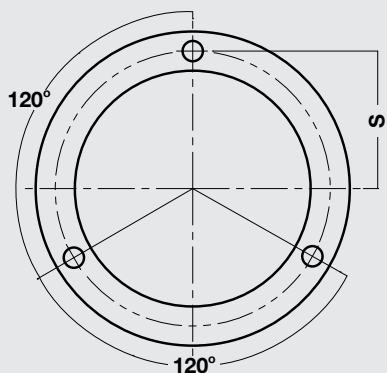
Front view



4½" side view



6" side view



Rear view

Size		A	B	C	D	H	L	M	N	R	S	T	W	Weight
4.5"	mm	154.7	68.6	120	35	41.4	27.4	17	19	-	68.32		22	
	in	6.09	2.70	4.73	1.37	1.63	1.08	0.67	0.75	-	2.69	1/4"	0.87	2.5 lb.
6"	mm	192	68.6	120	35	41.4	27.4	17	19	159	88.9		22	
	in	7.56	2.70	4.73	1.37	1.63	1.08	0.67	0.75	6.26	3.5	1/2"	0.87	3.0 lb.

## Recommended panel cutout

4½": dimension C + 1.5 mm

6": dimension R + 1.5 mm

## Ordering information

Pressure gauge model / Nominal size / Scale range / Size of connection / Optional extras required  
 Specifications and dimensions given in this leaflet represent the state of engineering at the time of printing.  
 Modifications may take place and materials specified may be replaced by others without prior notice.



## WIKA Instrument Corporation

1000 Wiegand Boulevard  
 Lawrenceville, GA 30043  
 Tel (770) 513-8200 Toll-free 1-888-WIKA-USA  
 Fax (770) 338-5118  
 E-Mail info@wika.com  
 www.wika.com