

# Bourdon Tube Pressure Gauges Solid-Front Process Gauge - Direct Drive Type 232.34DD

WIKA Datasheet 232.34DD

## Applications

- Where high dynamic pressure pulsations, vibration, or shock are present
- Suitable for corrosive environments and gaseous or liquid media that will not obstruct the pressure system
- Process industry: chemical, petrochemical, refining, power stations, mining, environmental technology, mechanical engineering and plant construction

## Special Features

- Excellent load-cycle stability and shock resistance
- Movement-less direct drive Bourdon tube
- Positive pressure ranges to 20,000 psi
- Full vacuum safe
- Helium leak tested

## Standard Features

### Design

ASME B40.100

### Sizes

4½" (115 mm) dial size

### Accuracy class

± 0.5% of span (ASME B40.100 Grade 2A)  
Ranges 0/10,000 psi and up ± 1% of span (ASME B40.100 Grade 1A)

### Ranges

Vacuum / Compound to 300 psi  
Pressure from 0/30 psi to 0/20,000 psi <sup>1)</sup>

### Working pressure

Steady: full scale value  
Fluctuating: 0.9 x full scale value  
Short time: 1.5 x full scale value

### Operating temperature

Ambient: -65°F to +190°F  
Medium: -65°F to +400°F

<sup>1)</sup> Accuracy of range 0/20,000 psi ± 2% of full span



Bourdon Tube Pressure Gauge Model 232.34DD

### Temperature error

Additional error when temperature changes from reference temperature of 68°F (20°C) ±0.4% of full span for every 18°F (10°C) rising or falling.

### Weather protection

Weather resistant (NEMA 3 / IP54)

### Pressure connection

Material: 316 SS  
Lower mount (LM) and lower back mount (LBM)  
¼" or ½" NPT

### Bourdon tube / wetted parts

Material: Inconel X-750  
316L SS socket & capillary  
All connection micro-brazed, welded & helium leak tested

### Filter

Porous metal disk - 316 SS  
Porosity: 25 to 50 microns

### Dial

White aluminum with black lettering and stop-pin at 6 o'clock

### Pointer

Black aluminum, micro-adjustable

### Case

Yellow fiberglass-reinforced thermoplastic (PBTP)  
Solid front, blowout back  
Turret-style case with built in rear flange lugs

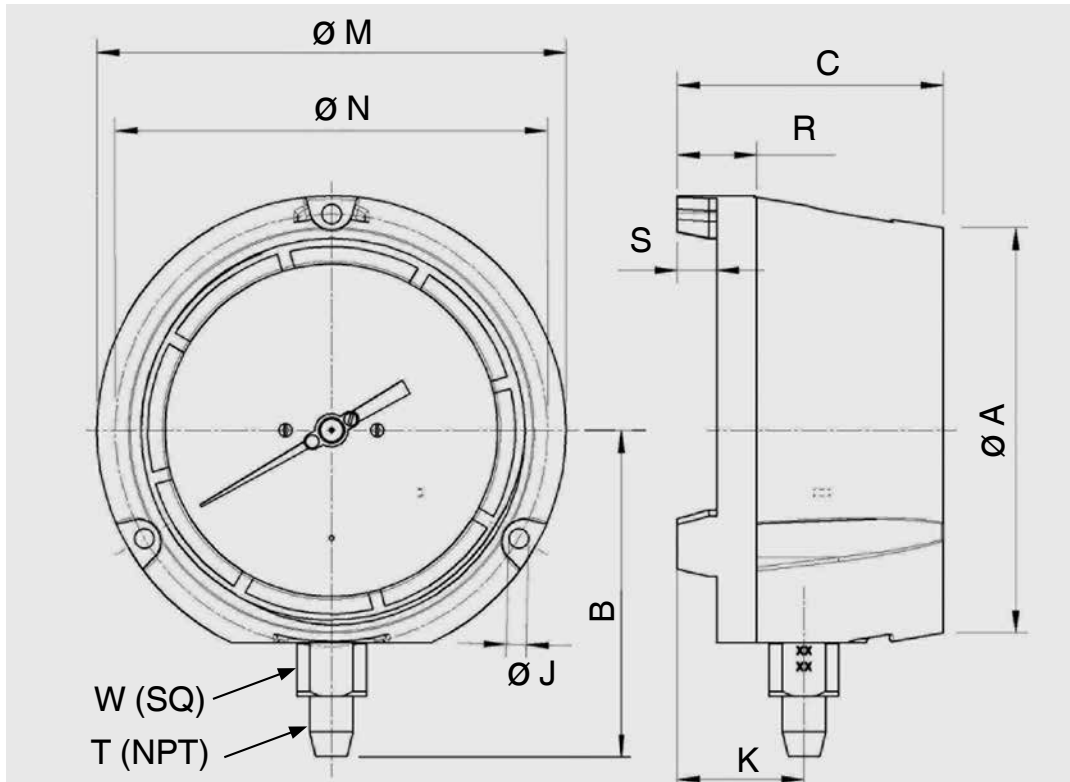
### Window

Clear acrylic with Buna-N gasket  
External zero adjustment screw located on window

### Optional extras

- Tempered safety glass (gauge will not come with external zero adjustment)
- Viton isolator for connection (not recommended for gases or vacuum service)
- EPDM isolator for connection (not recommended for gases or vacuum service)
- Filter - 316 SS porous metal disk - 25 to 50 microns (one included with each gauge)
- Oxygen cleaned to ASME B40.100 Level IV
- Other pressure connections
- Other pressure scales (bar, KPa, MPa, kg/cm<sup>2</sup> and dual scales)
- Custom dial layout
- Panel mounting kit (field assembly)
- NEMA 4 / IP65 weather protection
- Diaphragm seals

### Dimensions



Size		A	B	C	D	J	K	L	M	N	R	S	T	W	Weight <sup>1</sup>
4.5"	mm	128	103	84	120.3	6.3	40	28.5	148	136.5	25	12.5		22	2 lb.
	in	5	4.06	3.31	4.74	0.248	1.57	1.12	5.83	5.37	0.99	0.49	*½"	0.87	2 lb.

\* Or ¼"

<sup>1</sup> Weight without optional accessories



### WIKA Instrument, LP

1000 Wiegand Boulevard  
Lawrenceville, GA 30043-5868  
Tel: 888-WIKA-USA • 770-513-8200  
Fax: 770-338-5118  
E-Mail: info@wika.com  
www.wika.com