

Bourdon Tube Pressure Gauge Model 233.55 LBM, All Stainless Steel Construction Panel Builder Gauge

WIKA Datasheet 233.55

Applications

- Panel builder and control industry
- Suitable for corrosive environments with 316 stainless steel wetted parts
- Used in gaseous and liquid media

Special features

- Equipped with socket restrictor and glycerine filled case
- Off-set case liquid filling port
- LBM process connection
- Crimped tamper-proof bezel ring

Standard version

Design

ASME B40.100

Size

2½" (63mm)

Accuracy class

2½" ± ASME B40.100 Grade A 2/1/2%

Bourdon Tube

Material: 316L Stainless Steel
30" Hg (Vac) to 1000 PSI C-type
1500 PSI to 20,000 PSI helical type

Socket Material

316Ti Stainless Steel

Movement

Stainless Steel

Dial

White aluminum with black lettering; stop pin

Pointer

Black aluminum

Case

304 Stainless Steel with vent plug and SS crimping ring.
Welded case/socket connection

Front Flange

300 series Stainless Steel, polished



Panel Builder Gauge 233.55

Scale ranges (all ranges not stocked)

Vacuum/Compound to 30" HG/0/200 PSI
Pressure from 15 PSI to 20,000 PSI
or other equivalent units of pressure or vacuum

Working Range

Steady: ¼ of full scale value
Fluctuating: 2/3 of full scale value
Short time: full scale value

Operating Temperature

Ambient: -4°F to 140°F (-20°C to 60°C) ^{Note 1}
Media: 212°F (+100°C) maximum

Temperature error

Additional error when temperature changes from reference temperature of 68°F (20°C) ±0.4% for every 18°F (10°C) rising or falling. Percentage of span.

Weather protection

Weather-tight (NEMA 4X/IP 65)

Vent Plug

Flat rubber - over 300 PSI
Field cuttable nipple - vacuum through 300 PSI
With yellow vent lever- available

Restrictor

316 Stainless Steel; 0.023" (0.6mm) orifice, standard

Pressure connection

Material: 316 Stainless Steel
Lower back mount (LBM)
1/4" NPT limited to wrench flat area

Standard scale

PSI, PSI/BAR, PSI/KPA, PSI/KG/CM²

Window gasket

Buna-N

Case Filling

Glycerine-1000 Centistoke, standard

Window

Safety glass

Optional Extras

- Custom dial layout
- Silicone or inert case fill
- Special connections limited to wrench flat area
- Other pressure scales available
- Cleaned to ASME level IV (without glycerine case fill)

Recommendations

- Hole panel cutout= 2.56
- Installation screw= #6 flat head screw; threaded into panel, or back nut attachment (3-required).

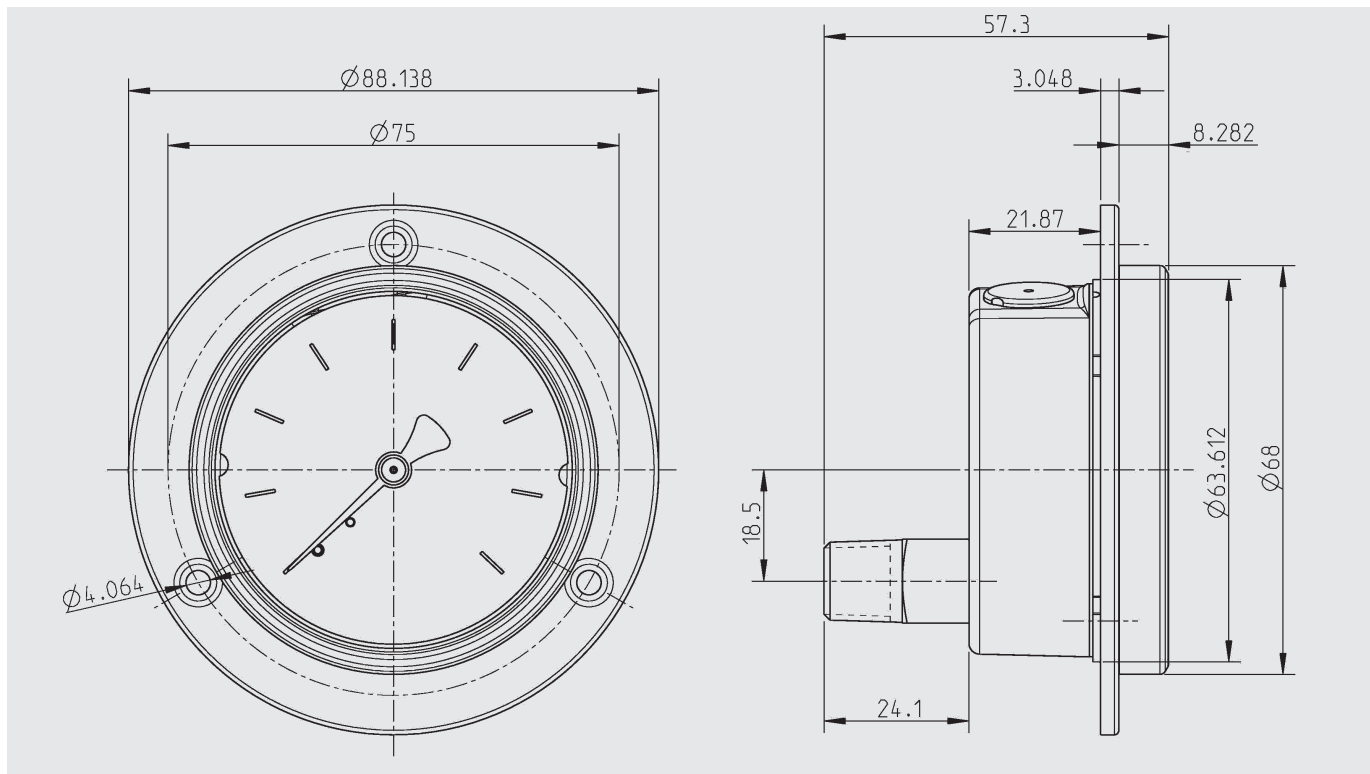
Note¹ Temperature ranges (liquid filled gauges)

Glycerine: -4°F to 140°F (-20°C to 60°C)

Silicone: -40°F to 140°F (-40°C to 60°C)

Dimensions

Standard versions



Ordering information

State computer part number (if available) /type number/size/range/connection size and locations/options required. WIKA reserves the right to make changes without prior notice.



WIKA Instrument Corporation

1000 Wiegand Boulevard
Lawrenceville, GA 30043
1-888-WIKA-USA /770-513-8200 (in GA)
Fax 770-338-5118
info@wika.com www.wika.com