

Nimbus B



Nimbus B		90		120		150		200	
Rated power at 50 °F (10°C)	W	30	50	40	60	50	75	80	100
External profile temp. (approx.)	°F (°C)	158 (70)	194 (90)	176 (80)	194 (90)	176 (80)	212 (100)	176 (80)	212 (100)
Voltage range		110 - 240 VAC/DC.							
Protection class		II							
IP Rating		IP 20							
Connection Cable	2 x 0.5 mm ² , silicone	19.68 inches (500 mm) long							
Mounting Option		DIN Clip for 35 mm rail EN50 022							
Agency Approvals		VDE, UL, CE							
Dimensions	LxWxH inches (mm)	3.54x3.23x1.38 (90x82x35)		4.72x3.23x1.38 (120x82x35)		5.91x3.23x1.38 (150x82x35)		7.87x3.23x1.38 (200x82x35)	
Weight	oz (g)	10.30 (290)		13.40 (380)		19.63 (480)		22.58 (640)	
Recommended fuse (time-delay)	240 V	4 A	6.3 A	4 A	6.3 A	4 A	6.3 A	6.3 A	6.3 A
	110 V	2 A	4 A	2 A	4 A	2 A	4 A	4 A	6.3 A

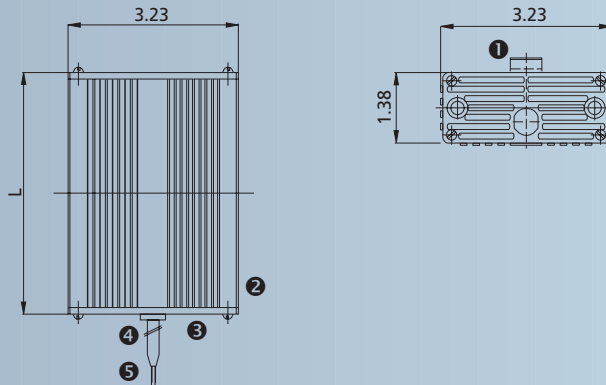
Ordering Example: Nimbus B 120, 40 W, 110-240 V

Other voltages and power outputs available upon request.

Product Features

- Thermal separation of the PTC heater from the external profile (patented)
- Optimal convection

- 1 Rail Clip
35mm DIN EN50 022
- 2 Aluminium profile
- 3 Cover plate
- 4 Strain relief
- 5 Silicone cable
.079 x .023 in² (AWG 20)



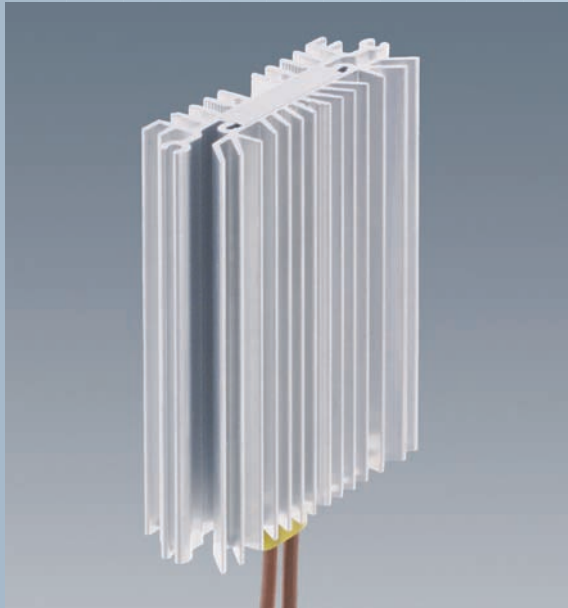
DBK USA INC.

212 Northeast Drive
Spartanburg, SC 29303

Phone: (864) 599 1600
Fax: (864) 578 6464

info@dbk-usa.com
www.dbk-usa.com

Nimbus D



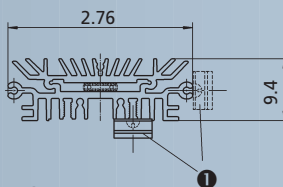
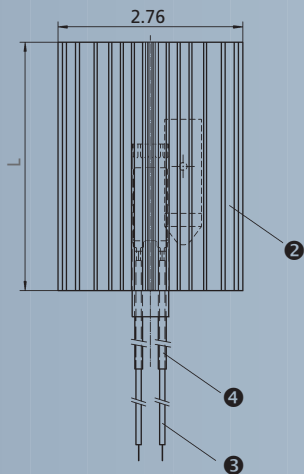
Nimbus D		65		95		125		175	
Rated power at 50 °F (10°C)	W	30	50	40	60	50	75	80	100
External profile temp. (approx.)	°F (°C)	266 (130)	401 (205)	275 (135)	401 (205)	320 (160)	374 (190)	374 (190)	392 (200)
Voltage range		110 - 240 V, AC/DC.							
Protection class		II							
IP Rating		IP20							
Connection Cable 2 x 0.5 mm ² , silicone		19.68 inches (500 mm) long							
Mounting Option		DIN Clip for 35 mm rail EN50 022							
Agency Approvals		VDE, UL, CE							
Dimensions	LxWxH inches (mm)	2.56x2.56x0.95 (65x70.7x24)	3.74x2.56x0.95 (95x70.7x24)	4.92x2.56x0.95 (125x70.7x24)	6.89x2.56x0.95 (175x70.7x24)				
Weight	oz (g)	4.59 (130)	5.94 (140)	6.35 (180)	6.70 (190)	8.11 (230)	8.47 (240)	11.64(330)	10.72(340)
Recommended fuse (time-delay)	240 V	4A	6.3A	4A	6.3A	4A	6.3A	6.3A	6.3A
	110 V	2A	4A	2A	4A	2A	4A	4A	6.3A

Ordering Example: Nimbus D 95, 40 W, 110-240 V

Other voltages and power outputs available upon request.

Product Features

- Rugged aluminium extrusion profile
- Compact design with high power density
- Self-regulating PTC-Technology
- Safety by temperature limitation
- DIN clip can be mounted either on the wide or on the narrow side (see position 1 on the drawing)
- Connection cable 2 x 0.75 mm², silicone



- ① Rail Clip
35 mm DIN EN50 022
- ② Aluminium profile
- ③ Silicon wire 0.5 mm²
- ④ Glass silk tube

DBK USA INC.

212 Northeast Drive
Spartanburg, SC 29303

Phone: (864) 599 - 1600
Fax: (864) 578 - 6464

info@dbk-usa.com
www.dbk-usa.com

Nimbus E



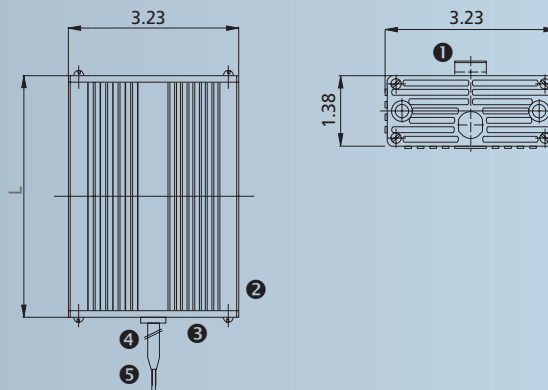
Nimbus E		90	120	150	200
Rated power at 50 °F (10° C)	W	80	100	120	150
External profile temp. (approx.)	°F (°C)	248 (120)	266 (130)	266 (130)	266 (130)
Voltage range		110 - 240 V, AC/DC.			
Protection class		II			
IP Rating		IP 20			
Connection Cable	2 x 0.5 mm ² , silicone	19.68 inches (500 mm) long			
Mounting Option		DIN Clip for 35 mm rail EN50 022			
Agency Approvals		VDE, UL, CE			
Dimensions	LxWxH inches (mm)	3.54x3.23x1.38 (90x82x35)	4.72x3.23x1.38 (120x82x35)	5.91x3.23x1.38 (150x82x35)	7.87x3.23x1.38 (200x82x35)
Weight	oz (g)	10.58 (300)	14.11 (400)	17.28 (490)	22.93 (650)
Recommended fuse (time-delay)	240 V 110 V	6.3 A 4 A	6.3 A 4 A	6.3 A 4 A	6.3 A 6.3 A

Ordering Example: Nimbus E 90, 80 W, 110-240 V
 Other voltages and power outputs available upon request.

Product Features

- Optimum convection
- High power density

- 1 Rail Clip
35 mm DIN, EN50 022
- 2 Aluminium profile
- 3 Cover plate
- 4 Strain relief
- 5 Silicone cable
.079 x .023 in² (AWG 20)



DBK USA INC.

212 Northeast Drive
 Spartanburg, SC 29303

Phone: (864) 599 - 1600
 Fax: (864) 578 - 6464

info@dbk-usa.com
 www.dbk-usa.com