

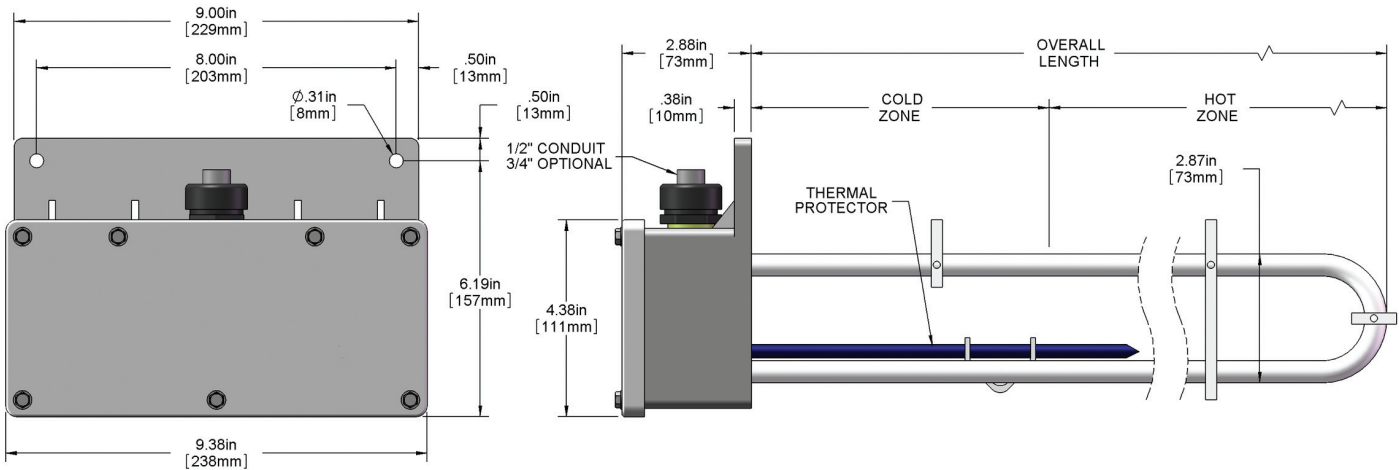
9HX SERIES, NINE ELEMENT FLUOROPOLYMER (PTFE) HEATERS					
WATTS	VOLTS	HOT ZONE	OVERALL LENGTH	MODEL NUMBER	SHIP WGT. Lbs./(kg)
		In./(mm)	In./(mm)		
3000	240	9	17	9HX3217-**-**	28
	480	(230)	(430)	9HX3417-**-**	(13)
4500	240	15	23	9HX4.5223-**-**	33
	480	(380)	(585)	9HX4.5423-**-**	(15)
6000	240	21	29	9HX6229-**-**	36
	480	(535)	(735)	9HX6429-**-**	(16.5)
9000	240	28	35	9HX9235-**-**	40
	480	(710)	(890)	9HX9435-**-**	(18)
12000	240	38	47	9HX12247-**-**	49
	480	(965)	(1195)	9HX12447-**-**	(22.5)
15000	240	47	59	9HX15259-**-**	60
	480	(1195)	(1500)	9HX15459-**-**	(27.5)
18000	240	55	68	9HX18268-**-**	67
	480	(1400)	(1725)	9HX18468-**-**	(30.5)

Three phase standard. Single phase available as option. Add "-1" before thermal protector designator.

Product Features and Benefits:

- ◆ **SUPERIOR CHEMICAL RESISTANCE:** Inert to most aqueous acid, alkaline, anodizing and pickling solutions up to 212°F (100°C).
- ◆ **RUGGED CONSTRUCTION:** Heavy wall fluoropolymer (PTFE) covered stainless steel element reduces permeation and eliminates the need for gas purge systems. Guaranteed 100% pinhole free.
- ◆ **OUTSTANDING PERFORMANCE:** Low watt density design (10 watts/square inch, 1.5w/cm²) for long service life. Excellent choice for electroless chemistries.
- ◆ **CORROSION RESISTANT HEAD:** Vapor tight, flame retardant polypropylene terminal enclosure with 3-foot (.9m) flexible PVC liquid tight conduit.
- ◆ **SAFETY FEATURES:**
 - Grounded internal metal element.
 - Thermal protector built in. Replaceable P1 fuse standard for solutions up to 190°F (88°C).
 - Non-floating construction.
- ◆ **CERTIFICATIONS:** UL, CSA, and CE.
- ◆ **SIZES:** 3,000 watts to 18,000 watts.
- ◆ **VOLTAGES:** 120, 240 or 480 volts. 208, 380, 415, 600 (CSA only) and other voltages available. Three phase standard, single phase available.
- ◆ **OPTIONS AVAILABLE** (consult factory):
 - Resettable thermal protectors:
 - P2 bi-metal switch: for solutions up to 190°F (88°C).
 - P8 type-J thermocouple for solutions from 190°F (88°C) to 210°F (99°C).
 - P3 type-J thermocouple for solutions from 210°F (99°C) to 250°F (121°C).
 - Polypropylene guards: recommended for applications up to 180°F (82°C) (sold separately).
 - Fluoropolymer (PTFE) guards: recommended for chromic acid or solutions over 180°F (82°C) (sold separately).
 - L-Shaped and other special configurations.
 - Longer wire and conduit lengths.
 - Lower watt densities for highly viscous solutions and technical acids.
 - Temperature and level controls sized to match the heater.

DIMENSIONS



NINE ELEMENT FLUOROPOLYMER (PTFE) HEATER ORDERING INFORMATION

Series	Wattage	Voltage	Overall Length (in.)	Options	Type of Fuse	Wire and Conduit Length																
	3 = 3000 4.5 = 4500 6 = 6000 9 = 9000 12 = 12000 15 = 15000 18 = 18000	1 = 120 2 = 240 3 = 380 4 = 480 5 = 415 6 = 600 7 = 400 8 = 208 9 = 220 0 = 200	17 = 3kW 23 = 4.5kW 29 = 6kW 35 = 9kW 47 = 12kW 59 = 15kW 68 = 18kW			no designator = 36" length standard specify variations from standard Ex: -X84 = 84" wire and conduit																
	9HX = PTFE 9HS = 304 stainless steel				<table border="1" style="width: 100%; border-collapse: collapse;"> <thead> <tr> <th colspan="2" style="text-align: center;">Replaceable Fuse</th> </tr> </thead> <tbody> <tr> <td style="text-align: center;">-P1 (std)</td> <td>for solutions up to 190°F</td> </tr> <tr> <td style="text-align: center;">-P4</td> <td>for 190° - 220°F solutions</td> </tr> <tr> <th colspan="2" style="text-align: center;">Resettable Fuse</th> </tr> <tr> <td colspan="2" style="text-align: center;">(additional control components required)</td> </tr> <tr> <td style="text-align: center;">-P2</td> <td>for solutions up to 190°F</td> </tr> <tr> <td style="text-align: center;">-P8</td> <td>for 190° - 210°F solutions</td> </tr> <tr> <td style="text-align: center;">-P3</td> <td>for 210° - 250°F solutions</td> </tr> </tbody> </table>	Replaceable Fuse		-P1 (std)	for solutions up to 190°F	-P4	for 190° - 220°F solutions	Resettable Fuse		(additional control components required)		-P2	for solutions up to 190°F	-P8	for 190° - 210°F solutions	-P3	for 210° - 250°F solutions	
Replaceable Fuse																						
-P1 (std)	for solutions up to 190°F																					
-P4	for 190° - 220°F solutions																					
Resettable Fuse																						
(additional control components required)																						
-P2	for solutions up to 190°F																					
-P8	for 190° - 210°F solutions																					
-P3	for 210° - 250°F solutions																					
	no designator = three phase power (standard) -1 = single phase power																					

1 inch = 25.4mm

ORDERING EXAMPLE:

9HX6229-P2-X84

9 element, fluoropolymer, 6,000 watts, 240 volt, 29" overall length, P2 fuse, 84" wire and conduit.

