

FLX SERIES, 3" 150 LB. STYLE SINGLE ELEMENT FLUOROPOLYMER (PTFE) FLANGED HEATERS

| WATTS | VOLTS | NO. OF ELEMENTS | OVERALL LENGTH In./(mm) | MODEL NUMBER | SHIP WGT. Lbs./kg) |
|-------|-------|-----------------|----------------------------|--------------|-----------------------|
| 1000 | 120 | 1 | 11 | 3FLX1111-** | 20 |
| | 240 | | (280) | 3FLX1211-** | (9) |
| 2000 | 240 | 1 | 16 | 3FLX2216-** | 23 |
| | 480 | | (405) | 3FLX2416-** | (11) |
| 3000 | 240 | 1 | 21 | 3FLX3221-** | 26 |
| | 480 | | (535) | 3FLX3421-** | (12) |
| 4000 | 240 | 1 | 28 | 3FLX4228-** | 29 |
| | 480 | | (710) | 3FLX4428-** | (13.5) |
| 5000 | 240 | 1 | 32 | 3FLX5232-** | 32 |
| | 480 | | (815) | 3FLX5432-** | (15) |
| 6000 | 240 | 1 | 35 | 3FLX6235-** | 35 |
| | 480 | | (890) | 3FLX6435-** | (16) |

FLX SERIES, 6" 150 LB. STYLE THREE ELEMENT FLUOROPOLYMER (PTFE) FLANGED HEATERS

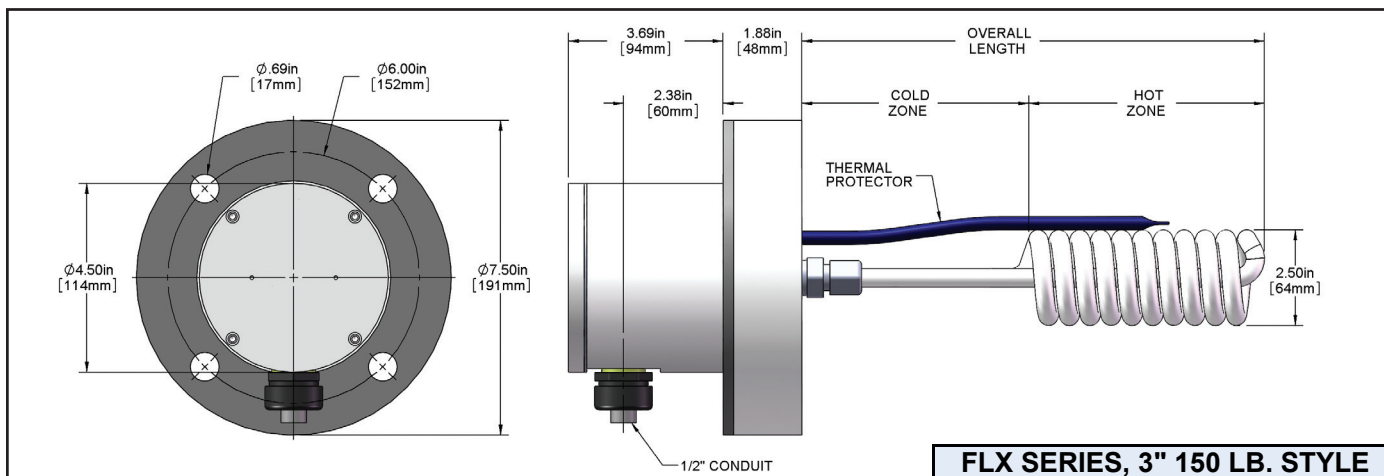
| WATTS | VOLTS | NO. OF ELEMENTS | OVERALL LENGTH In./(mm) | MODEL NUMBER | SHIP WGT. Lbs./kg) |
|-------|-------|-----------------|----------------------------|--------------|-----------------------|
| 3000 | 240 | 3 | 11 | 6FLX3211-** | 42 |
| | 480 | | (280) | 6FLX3411-** | (19) |
| 6000 | 240 | 3 | 16 | 6FLX6216-** | 51 |
| | 480 | | (405) | 6FLX6416-** | (23) |
| 9000 | 240 | 3 | 21 | 6FLX9221-** | 60 |
| | 480 | | (535) | 6FLX9421-** | (27) |
| 12000 | 240 | 3 | 28 | 6FLX12228-** | 66 |
| | 480 | | (710) | 6FLX12428-** | (30) |
| 15000 | 240 | 3 | 32 | 6FLX15232-** | 75 |
| | 480 | | (815) | 6FLX15432-** | (34) |
| 18000 | 240 | 3 | 35 | 6FLX18235-** | 84 |
| | 480 | | (890) | 6FLX18435-** | (38) |

Heaters rated up to 50 PSI service.

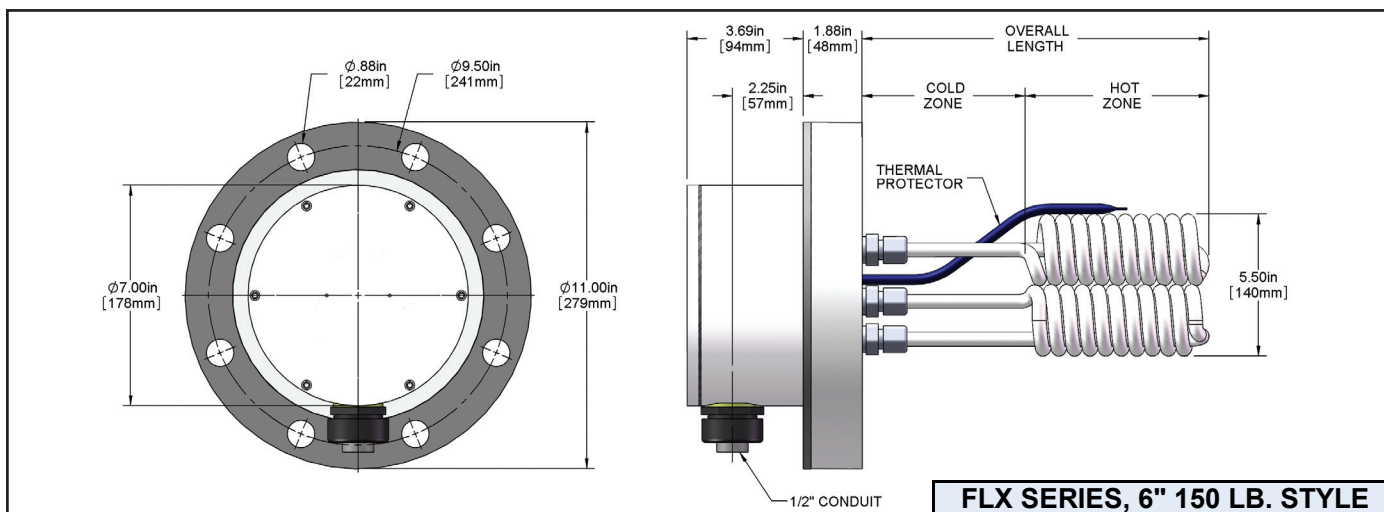
Product Features and Benefits:

- ◆ **SUPERIOR CHEMICAL RESISTANCE:** Inert to most aqueous acid, alkaline, anodizing and plating solutions. Check solution recommendation chart or with your chemical supplier for proper sheath material selection.
 - ◆ **RUGGED CONSTRUCTION:** Heavy wall fluoropolymer (PTFE) covered stainless steel sheath reduces permeation and eliminates the need for gas purge systems. Guaranteed 100% pinhole free.
 - Rated for up to 50 PSI service.
 - Vapor tight polypropylene head.
 - ◆ **LONG LASTING PERFORMANCE:** Low watt densities of 10 watts per square inch (1.5w/cm²) ensure long service life.
 - ◆ **SAFETY FEATURES:**
 - Grounded internal metal heating element.
 - Thermal protector built in. Resettable P2 thermal protector standard for solutions up to 180°F (82°C).
 - ◆ **CERTIFICATIONS:** CE (except 600 volts).
 - ◆ **SIZES:** 1,000 watts to 18,000 watts.
 - ◆ **VOLTAGES:** 240 or 480 volts. 120, 208, 380, 415, 600 and other voltages available. 3FLX single phase only, 6FLX single or three phase.
 - ◆ **OPTIONS AVAILABLE (consult factory):**
 - Special configurations and lengths.
 - Resettable thermal protectors:
 - P8 type-J thermocouple for solutions from 180°F (82°C) to 210°F (99°C).
 - P3 type-J thermocouple for solutions from 210°F (99°C) to 250°F (121°C).
 - Additional thermowells.
 - Integral thermostats.
 - Lower watt densities for highly viscous solutions.
 - Temperature and level controls sized to match the heater.
- NOTE:** Gasket and bolts not provided. Intended for horizontal installation only.

DIMENSIONS



FLX SERIES, 3" 150 LB. STYLE



FLX SERIES, 6" 150 LB. STYLE

PTFE FLANGED HEATER ORDERING INFORMATION

| Flange Size | Series | Wattage | Voltage | Overall Length (in.) | | Options | Type of fuse | Wire and Conduit Length |
|---------------------|--------|--|--|---|--|---|--------------|-------------------------|
| 3 = 3" 6 = 6" | | 1 = 1000 2 = 2000 3 = 3000 4 = 4000 5 = 5000 6 = 6000 | 1 = 120 2 = 240 3 = 380 4 = 480 5 = 415 6 = 600 7 = 400 8 = 208 9 = 220 0 = 200 | 3FL: 11 = 1kW 16 = 2kW 21 = 3kW 28 = 4kW 32 = 5kW 35 = 6kW specify (custom lengths available) | 6FL: 3kW 6kW 9kW 12kW 15kW 18kW | single phase power only for 3FL series three phase power standard for 6FL series -1 = single phase power (6FL only) | | |
| FLX = PTFE sheathed | | | | | | Resettable Fuse (additional control components required) | | |
| | | | | | | -P2 for solutions up to 180°F | | |
| | | | | | | -P8 for 180° - 210°F solutions | | |
| | | | | | | -P3 for 210° - 250°F solutions | | |
| | | | | | | no designator = 36" length standard specify variations from standard, Ex: -X84 = 84" | | |

ORDERING EXAMPLE:

3FLX1211-P2

3" PTFE flange, PTFE sheathed element, 1,000 watts, 240 volts, 11" overall length, P2 thermal protector.

