

INDUCTIVE RING PROXIMITY SENSORS

HTMTM
SENSORS

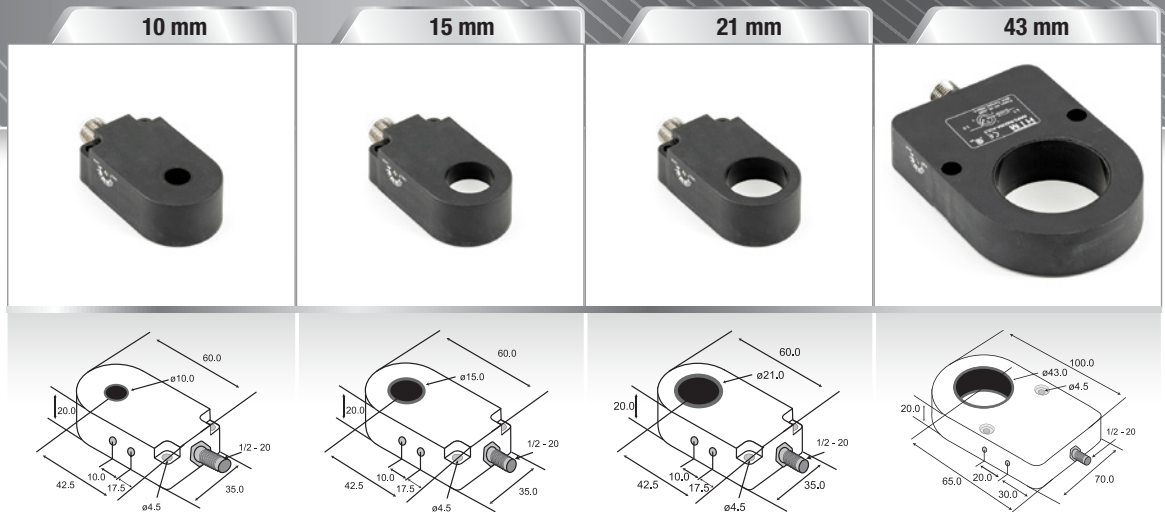


- RING SENSORS FOR METAL PARTS DETECTION
- 4 SIZES AVAILABLE FROM 10 mm TO 43 mm
- CONVENIENT SIDE SCREW MOUNTING
- IDEAL FOR WELD WIRE DETECTION, OR SMALL PARTS DETECTION
- AVAILABLE IN AC OR DC, NPN OR PNP OUTPUTS WITH OR WITHOUT TIMING FUNCTION
- AVAILABLE IN M12 QUICK-CONNECT OR PRE-WIRED VERSIONS



HTMSENSORS.COM

INDUCTIVE RING PROXIMITY SENSORS SPECIFICATIONS



Min. Target Size	D=3 mm; L=6 mm	D=9 mm; L=18 mm	D=6 mm; L=12 mm	D=9 mm; L=18 mm
PART NUMBERS				
DC 3-wire 10-30 V NPN N.O.	RRP2-R1020N-ARU4	RRP2-R1520N-ARU4	RRP2-R2120N-ARU4	RRP2-R4320N-ARU4
DC 3-wire 10-30 V NPN N.C.	RRP2-R1020N-BRU4	RRP2-R1520N-BRU4	RRP2-R2120N-BRU4	RRP2-R4320N-BRU4
DC 3-wire 10-30 V PNP N.O.	RRP2-R1020P-ARU4	RRP2-R1520P-ARU4	RRP2-R2120P-ARU4	RRP2-R4320P-ARU4
DC 3-wire 10-30 V PNP N.C.	RRP2-R1020P-BRU4	RRP2-R1520P-BRU4	RRP2-R2120P-BRU4	RRP2-R4320P-BRU4
AC 2-wire 20-250 V N.O.	RRP2-R1020A-AUL3	RRP2-R1520A-AUL3	RRP2-R2120A-AUL3	RRP2-R4320A-AUL3
AC 2-wire 20-250 V N.C.	RRP2-R1020A-BUL3	RRP2-R1520A-BUL3	RRP2-R2120A-BUL3	RRP2-R4320A-BUL3

INDUCTIVE RING SENSORS OFFER THE RELIABLE SENSING OF METAL PARTS, WIRES, AND OBJECTS, WHERE THE PARTS ARE MOVING THROUGH AN AREA AND NEED TO BE DETECTED.

HTM[™]
SENSORS

In Canada: 3419 Mainway, Burlington, ON L7M 1A9
 In the USA: 1889 Maryland Ave., Niagara Falls, NY 14304
 Toll Free: 1-800-644-1756
 service@htmsensors.com

Proudly Supported by



TOLL FREE: 1-800-644-1756