

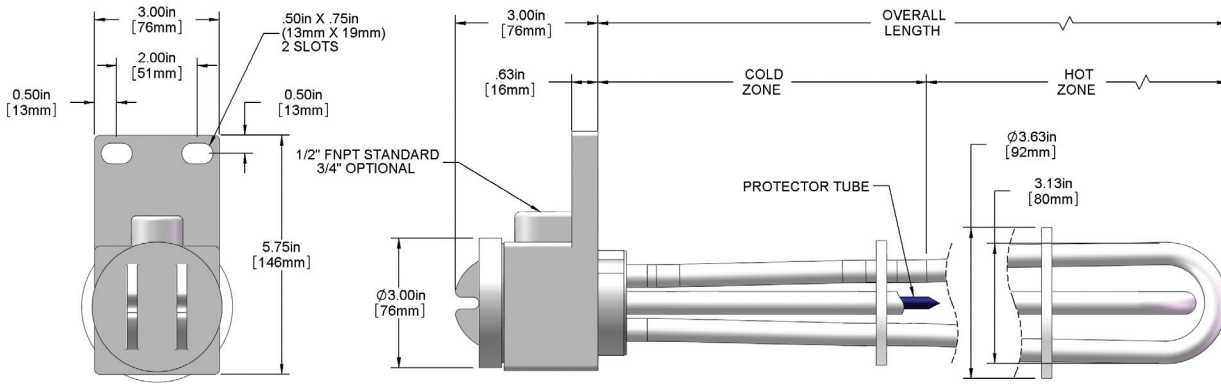
3HX SERIES, THREE ELEMENT FLUOROPOLYMER (PTFE) HEATERS					
WATTS	VOLTS	HOT ZONE In./(mm)	OVERALL LENGTH In./(mm)	MODEL NUMBER	SHIP WGT. Lbs./(kg)
1000	120	10	17	3HX1117-1**	10
	240	(255)	(430)	3HX1217-**	(4.5)
1500	120	16	23	3HX1.5123-1**	11
	240	(405)	(585)	3HX1.5223-**	(5)
	480			3HX1.5423-**	
2000	120	22	29	3HX2129-1**	12
	240	(560)	(735)	3HX2229-**	(5.5)
	480			3HX2429-**	
3000	240	29	35	3HX3235-**	14
	480	(735)	(890)	3HX3435-**	(6.5)
4000	240	39	47	3HX4247-**	17
	480	(990)	(1195)	3HX4447-**	(8)
5000	240	48	59	3HX5259-**	20
	480	(1220)	(1500)	3HX5459-**	(9)
6000	240	56	68	3HX6268-**	23
	480	(1420)	(1725)	3HX6468-**	(10.5)

Three phase standard.

## Product Features and Benefits:

- ◆ **SUPERIOR CHEMICAL RESISTANCE:** Inert to most aqueous acid, alkaline, anodizing and pickling solutions up to 212°F (100°C).
- ◆ **RUGGED CONSTRUCTION:** Heavy wall fluoropolymer (PTFE) covered stainless steel element reduces permeation and eliminates the need for gas purge systems. Guaranteed 100% pinhole free.
- ◆ **OUTSTANDING PERFORMANCE:** Low watt density design (10 watts/square inch, 1.5w/cm<sup>2</sup>) for long service life.
- ◆ **CORROSION RESISTANT HEAD:** Vapor resistant, flame retardant polypropylene terminal enclosure with 3-foot (.9m) flexible PVC liquid tight conduit.
- ◆ **SAFETY FEATURES:**
  - Grounded internal metal element.
  - Thermal protector built in. Replaceable P1 protector standard for solutions up to 180°F (82°C).
  - Non-floating construction.
- ◆ **CERTIFICATIONS:** UL listed to U.S. and Canadian safety requirements, and CE.
- ◆ **SIZES:** 1,000 watts to 6,000 watts.
- ◆ **VOLTAGES:** 120 to 600 volts. Three phase standard, single phase available.
- ◆ **OPTIONS AVAILABLE (consult factory):**
  - Replaceable thermal protectors:
    - P4: for solutions from 180°F (82°C) to 230°F (110°C).
  - Resettable thermal protectors:
    - P2: bi-metal switch for solutions up to 180°F (82°C).
    - P8: type-J thermocouple for solutions from 190°F (88°C) to 210°F (99°C).
    - P3: type-J thermocouple for solutions from 210°F (99°C) to 250°F (121°C).
  - Longer vertical lengths (cold zones).
  - Polypropylene guards: recommended for applications up to 180°F (82°C), sold separately.
  - Fluoropolymer (PTFE) guards: recommended for chromic acid or solutions over 180°F (82°C), sold separately.
  - Special configurations.
  - Longer wire and conduit lengths.
  - Lower watt densities for highly viscous solutions and technical acids.
  - Temperature and level controls sized to match the heater.

## DIMENSIONS



## THREE ELEMENT FLUOROPOLYMER (PTFE) HEATER ORDERING INFORMATION

Series	Wattage	Voltage	Overall Length	Options	Type of Protector	Wire and Conduit Length																
	1 = 1000 1.5 = 1500 2 = 2000 3 = 3000 4 = 4000 5 = 5000 6 = 6000	1 = 120 2 = 240 3 = 380 4 = 480 5 = 415 6 = 600 7 = 400 8 = 208 9 = 220 0 = 200	17 = 1kW 23 = 1.5kW 29 = 2kW 35 = 3kW 47 = 4kW 59 = 5kW 68 = 6kW	-1 = single phase power		36" length standard (no designator) specify variations from standard Ex: -X84 = 84"																
	3HX = PTFE 3HS = 304 stainless steel				<table border="1" style="width: 100%; border-collapse: collapse;"> <thead> <tr> <th colspan="2" style="text-align: center;">Replaceable Protector</th> </tr> </thead> <tbody> <tr> <td style="width: 30%;">-P1(std)</td> <td>for solutions up to 180°F</td> </tr> <tr> <td>-P4</td> <td>for 180° - 230°F solutions</td> </tr> <tr> <th colspan="2" style="text-align: center;">Resettable Protector</th> </tr> <tr> <td colspan="2" style="text-align: center;">(additional control components required)</td> </tr> <tr> <td>-P2</td> <td>for solutions up to 180°F</td> </tr> <tr> <td>-P8</td> <td>for 190° - 210°F solutions</td> </tr> <tr> <td>-P3</td> <td>for 210° - 250°F solutions</td> </tr> </tbody> </table>	Replaceable Protector		-P1(std)	for solutions up to 180°F	-P4	for 180° - 230°F solutions	Resettable Protector		(additional control components required)		-P2	for solutions up to 180°F	-P8	for 190° - 210°F solutions	-P3	for 210° - 250°F solutions	
Replaceable Protector																						
-P1(std)	for solutions up to 180°F																					
-P4	for 180° - 230°F solutions																					
Resettable Protector																						
(additional control components required)																						
-P2	for solutions up to 180°F																					
-P8	for 190° - 210°F solutions																					
-P3	for 210° - 250°F solutions																					

1 inch = 25.4mm

### ORDERING EXAMPLE:

3HX15223-P1-X50

Three element fluoropolymer heater, 1500 watts, 240 volt, three phase, 23" overall length, P1 thermal protector, 50" wire and conduit

